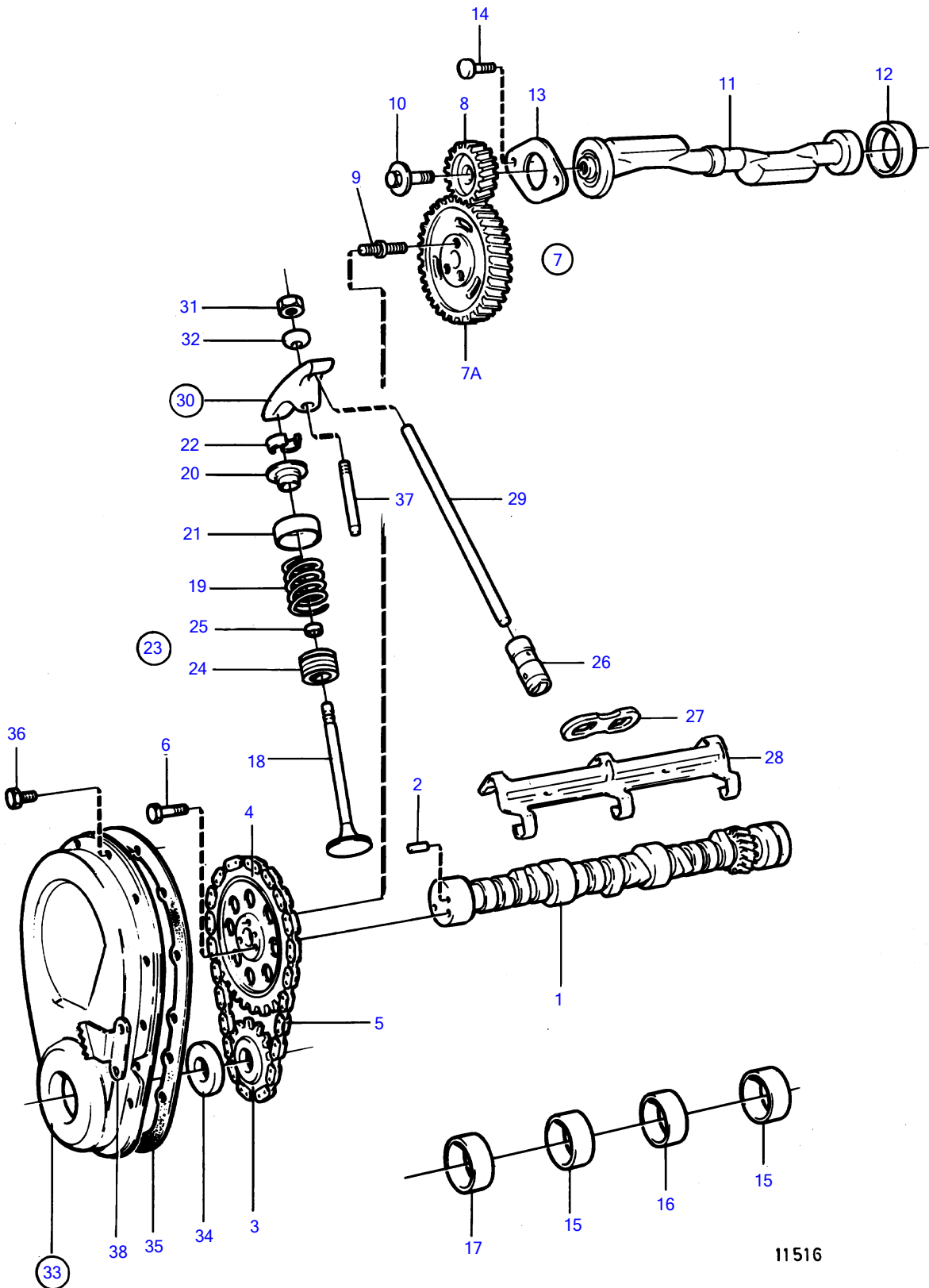


432A, 434A



11516

## 432A, 434A

REF	PART NO.	QTY	DESCRIPTION	SEE SEC.	NOTES
1	857576	1	Camshaft		Included in basic engine, See group 10A
2	835040	1	• Locating pin		
3	856069	1	Sprocket		
4	857578	1	Sprocket		
5	856070	1	Camshaft chain		
6	940135	3	Hexagon screw		
7	857585	1	Gear		
7A		1	• gear		
8		1	• gear		
9	857588	1	Stud		
10	(857586)	1	Screw		Obsolete part
11	857581	1	Shaft		
12	857582	1	Bushing		
13	857583	1	Retainer		
14	856409	2	Screw		
15	841423	2	Bushing		
16	841424	1	Bushing		
17	841422	1	Bearing		
18	856368	6	Exhaust valve		Std
	856370	6	Exhaust valve		Over size 0,015"
	(841882)	6	Exhaust valve		Over size 0,030", Obsolete part
	841873	6	Inlet valve		Std
	841874	6	Inlet valve		Over size 0,015"
	841875	6	Inlet valve		Over size 0,030"
19	835102	12	Spring		
20	855825	6	Valve spring washer		For exhaust valve.
	841782	6	Valve spring washer		
21	841781	12	Shield		
22	835401	24	Valve collet		
23	855564	1	Sealing kit		
24		6	• seal		
25		12	• oil seal		
26	857237	12	Tappet		
27	857572	6	Bracket		
28	857573	1	Retainer		
29	856396	12	Push rod		
30	856421	12	Rocker arm		
31	857245	12	• Nut		
32	841199	12	• Ball		
33	857574	1	Timing gear casing		
34	856665	1	• Sealing ring		
35	857575	1	Gasket		
36	943629	10	Flange screw		
37	857244	12	Stud	12435	
	841779	2	Stud		Over size 0,013"
38	841038	1	Setting indicator		